

PROFESSIONAL TRUCK RACK

PRIME DESIGN™

A Safe Fleet Brand

**WORKS
HARD.**



PLAYS HARDER!



Easy to switch - When you change trucks, take the rack with you!



Easy to install - no holes to drill.

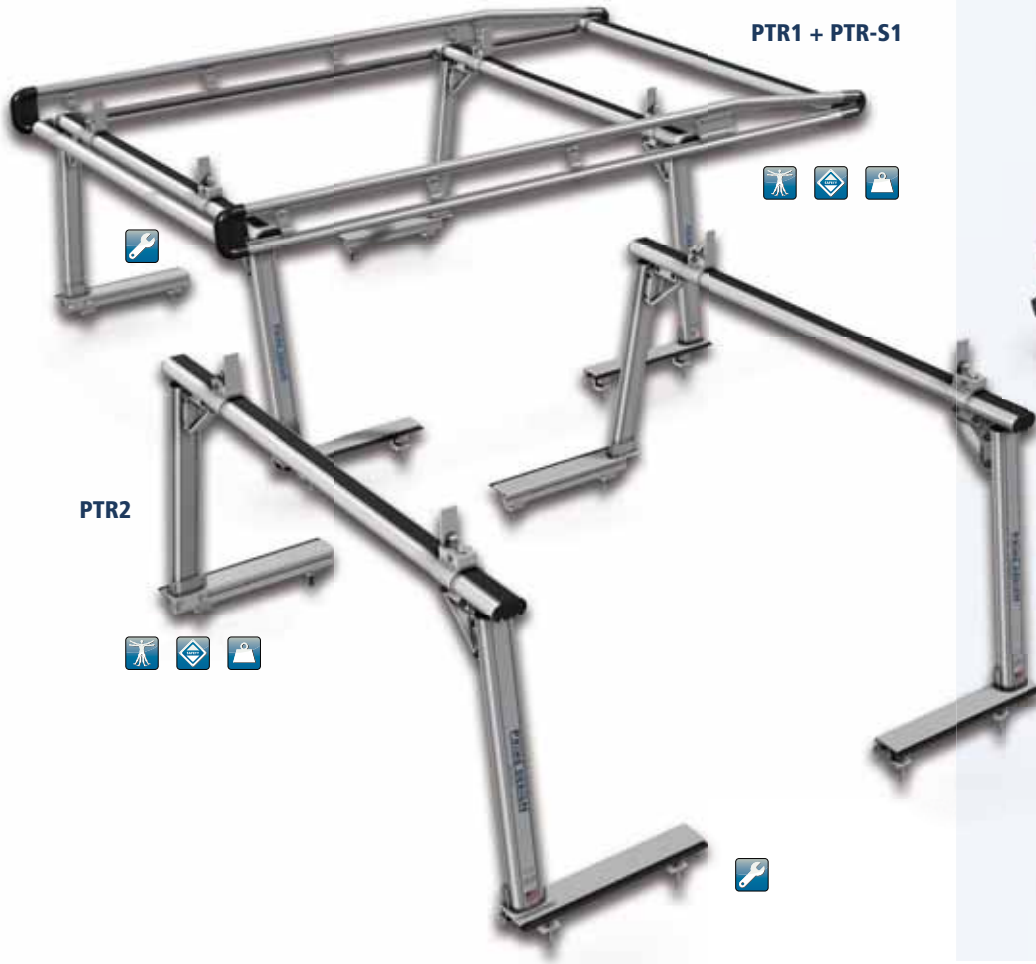


Easy to load - Unique roller wheel option makes loading bulky cargo easier and faster.



Search term "Professional Truck Rack" to find more information.

PROFESSIONAL TRUCK RACK



PTR1 + PTR-S1

PTR2



CHEVROLET SILVERADO



FORD F-SERIES



GMC SIERRA



RAM PICKUP TRUCK

PRODUCT DESCRIPTION	COMPATIBILITY	WEIGHT	STANDARD MODELS
PROFESSIONAL TRUCK RACK	COMPATIBLE CHASSIS		
25.5" Legs, 57" Crossbars, adjustable stops	Midsized pickup trucks	51 lbs.	PTR1
27.5" Legs, 67" Crossbars, adjustable stops	Fullsize pickup trucks	55 lbs.	PTR2
OPTIONAL ADD-ON COMPONENTS			
Side Rails, 3rd Crossbar, & Roller	Midsized pickup truck with PTR1	30 lbs.	PTR-S1
Side Rails, 3rd Crossbar, & Roller	Fullsize pickup truck with PTR2	31 lbs.	PTR-S2
Side Rails 2 FT Add-On Conversion Kit	Fullsize pickup truck with PTR2 & PTR-S2	8 lbs.	PTR-S4
Add-On Crossbar for Midsized Trucks	Midsized pickup trucks with PTR1 & PTR-S1	7 lbs.	PTR-C1
Add-On Crossbar for Fullsize Trucks	Fullsize pickup trucks with PTR2 & PTR-S2	9 lbs.	PTR-C2

Check with your customer service representative for availability with additional full size and midsized truck chassis other than those shown above.

¹ Non-slip padding will aid, but **DOES NOT** replace, proper use of tie-downs or other means of securing cargo.

² Check with manufacturer's specifications for bed and bed rail loading capacities.

ML-7.2-4020 / Rev D / 09-15-2015